



UPR 550 (Universal Pressure Regulator)



Features:

1. High water flow at any regulated output pressure
2. Wide output range
3. Stable pressure control at any pressure setting
4. Resistant to hammering
5. Durable and corrosion resistant plastic and elements
6. Easy pressure setting without tools
7. Maintenance free

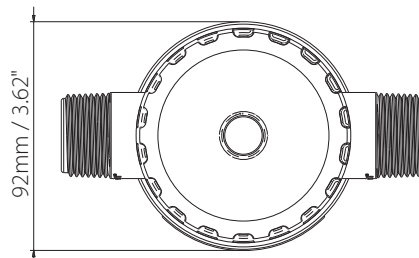
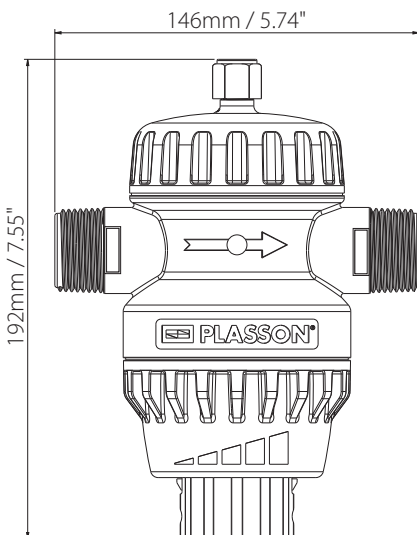
General description:

- Plastic body: PP + glass fiber
- Plastic valve components: POM
- Metal parts in contact with water: Stainless Steel
- Diaphragm and seals: EPDM

Technical data:

- Inlet and Outlet 1" BSPT or 1"NPT, can be reduced to 3/4" or 1/2"
- Inlet pressure up to 16 bar / 230 psi
- Adjustable outlet pressure 0.3 – 4 bar / 4.5 – 60 psi

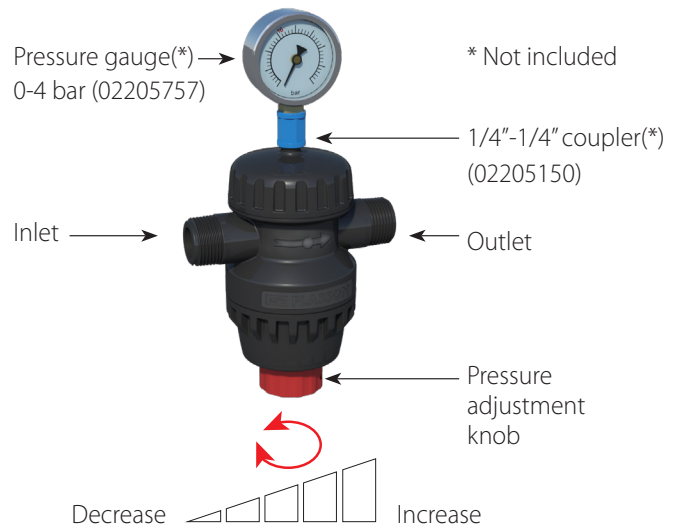
Dimensions:



UPR 550/550N | Universal Pressure Regulator

Installation Instructions

- Regulator has an arrow of flow direction, be sure to install accordingly
- Regulator can be installed both horizontally or vertically
- To install pressure gauge on top of the regulator, remove the 1/4" cap, use 1/4"-1/4" coupler(*)
- connect gauge(*) 0-4 bar (0-60psi) with male threaded connection



Free flow rates at different inlet pressures

Inlet pressure		Open end flow rate	
bar	psi	m ³ /h	gal/min
0.5	7	2.6	11.1
1.0	15	3.5	15.4
1.5	22	4.2	18.5
2.0	29	4.8	21.1
2.5	37	5.4	23.7
3.0	44	5.8	25.5
3.5	51	6.2	27.2
4.0	58	6.6	29
5.0	73	7.2	31.6
6.0	87	8.0	35.2

Parts List

	02206500	UPR 550 Universal Pressure Regulator
	02205950 (*)	UPR 550N Universal Pressure Regulator 1" NPT
1	02205454	Bottom shell
2	02205703	Ball handle for pressure regulator
3	02205704	Nut for pressure regulator
4	02205459	Spring
5	16007006	SS A2 hex nut M6
6	02205457	Backing plate
7	02205460	Diaphragm
8 8a (*)	02205453 02205951	Top shell UPR Top shell NPT 1"
9	02205462	Spool O-ring
10	02205458	Spool
11	02205461	Cap O-ring
12	02205456	Valve seat
13	02205717	Seal for pressure regulator valve P-503
14	02205714	M6 bolt for pressure regulator valve
15	02205455	Cap
16	02100054	Washer 22 - P113 Epdm
17	02207917	1/4 BSPT pipe cap (12010804002)

